


DESIGNED BY: yohan Thollet		Machine à nettoyer les pneus	
DATE: 21/11/2015			
CHECKED BY: XXX		IUT Saint Etienne	
DATE: XXX			
SIZE A3		XXX	
SCALE 2:3	WEIGHT (kg) XXX		
This drawing is our property; it can't be reproduced or communicated without our written agreement.		XXX	SHEET 1/3

D

C

B

A

8

8

7

7

6

6

5

5

4

4

3

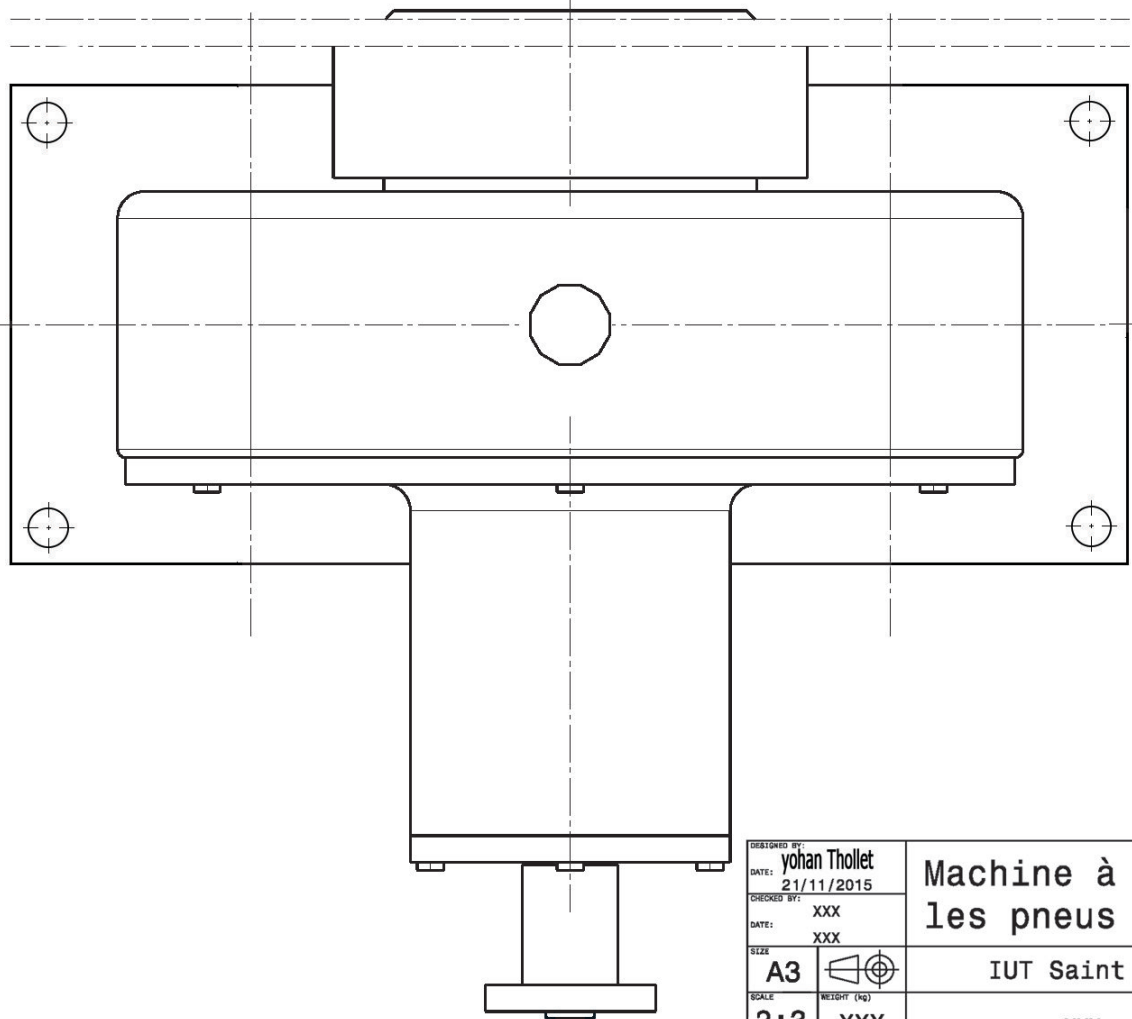
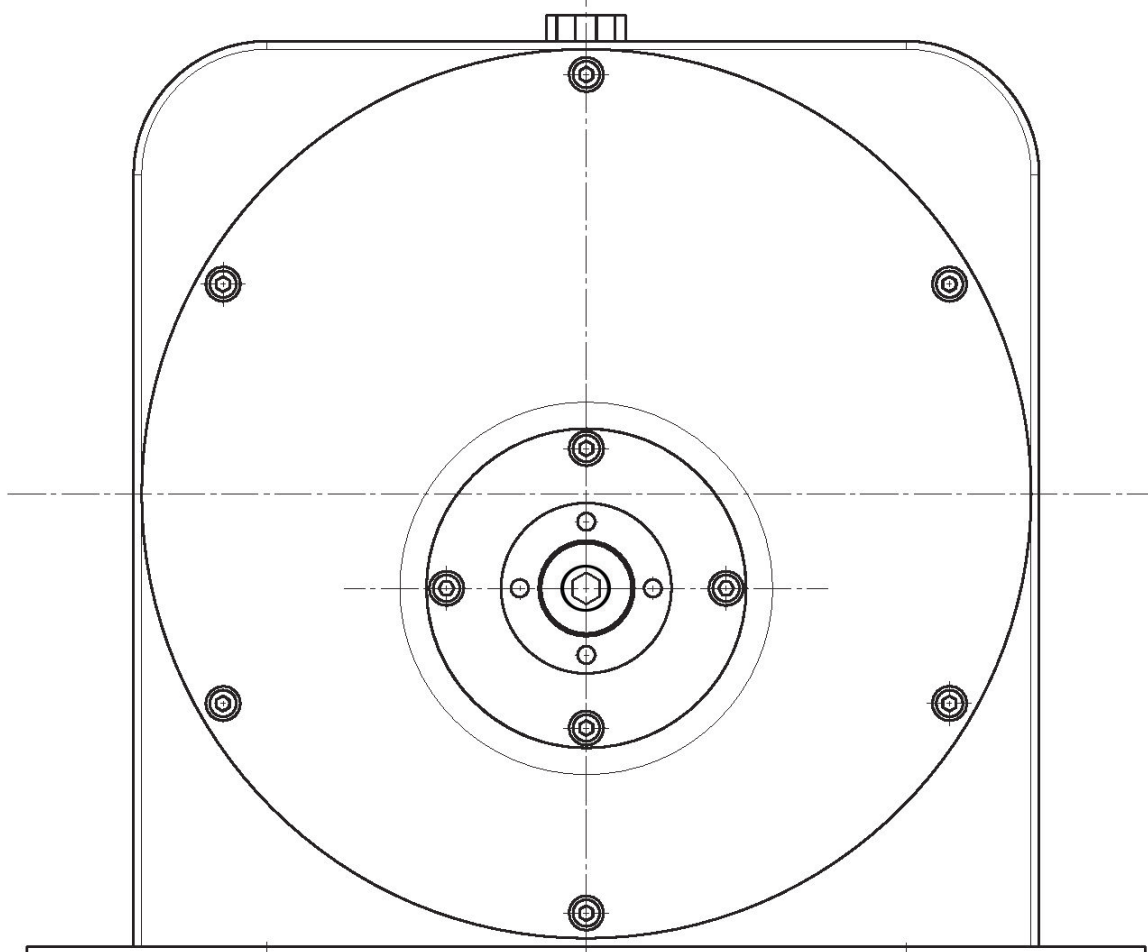
3

2

2

1

1



DESIGNED BY: yohan Thollet		Machine à nettoyer les pneus	
DATE: 21/11/2015			
CHECKED BY: XXX		IUT Saint Etienne	
DATE: XXX			
SIZE A3		XXX	
SCALE 2:3	WEIGHT (kg) XXX		
This drawing is our property; it can't be reproduced or communicated without our written agreement.		XXX	SHEET 2 / 3

D

A